



**LEFROY BROOKS**

1 8 2 8 T R O U T M A N S T R E E T  
R I D G E W O O D N E W Y O R K N Y 1 1 3 8 5 U S A  
T : + 1 ( 7 1 8 ) 3 0 2 5 2 9 2 F : + 1 ( 7 1 8 ) 3 0 2 4 1 7 7

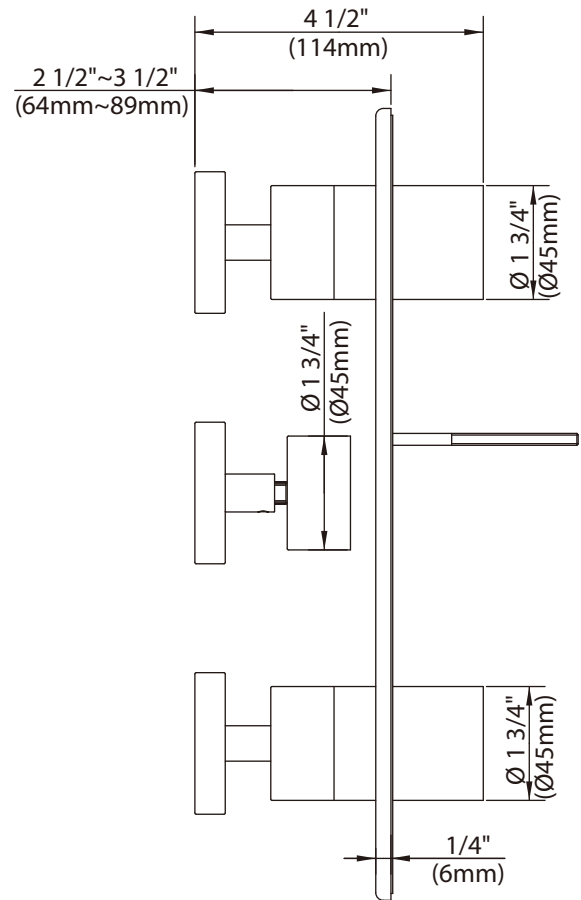
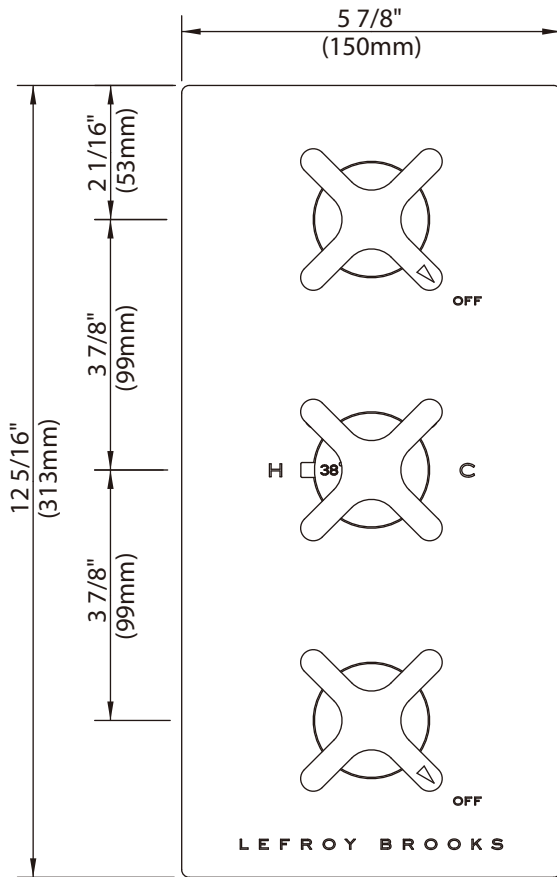
**K1-4403**

CROSS HANDLE THERMOSTATIC WITH TWO CROSS HANDLE FLOW  
CONTROLS TRIM ONLY, TO SUIT K1-4202 ROUGH

**DIMENSIONAL DATA SHEET**

DATE: 01 February 2013

No: A667514



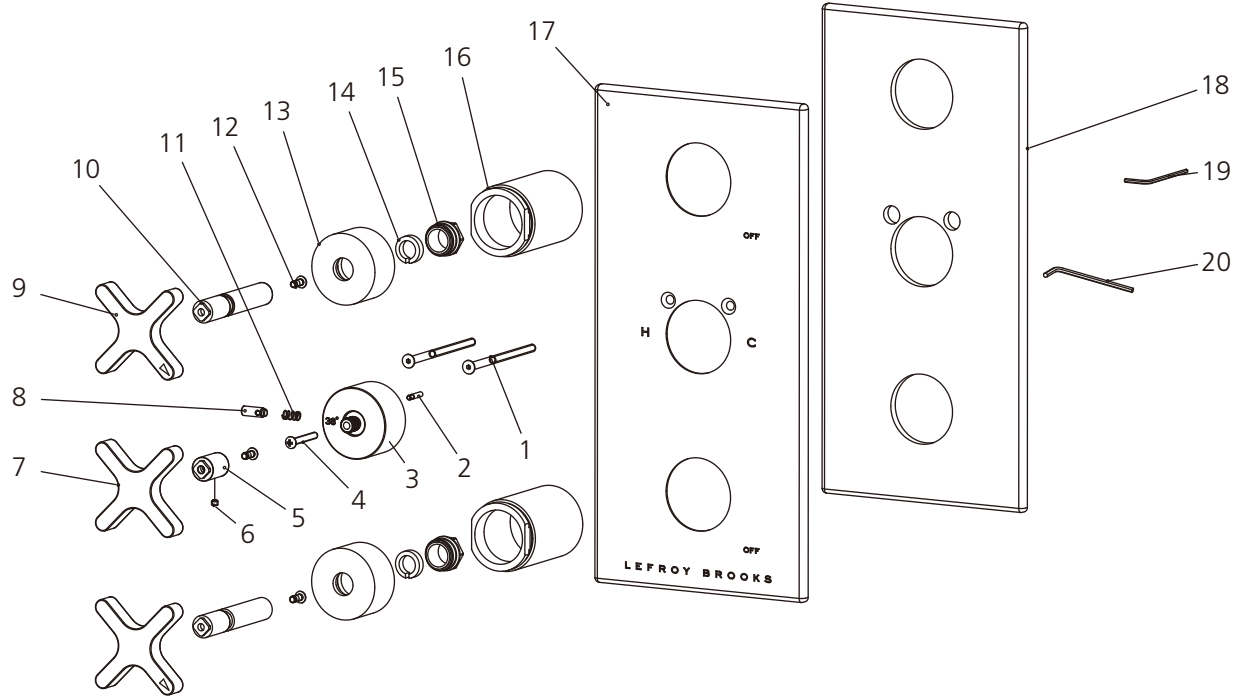
COPYRIGHT © LBIP LTD 2012. ALL RIGHTS RESERVED.

DIMENSIONS IN INCHES & MILLIMETRES

WHILST EVERY EFFORT IS MADE TO ENSURE THE ACCURACY OF THESE DATA SHEETS THEY ARE SUBJECT TO CHANGE WITHOUT NOTICE AS PART OF THE COMPANY'S PRODUCT DEVELOPMENT PROCESS

# K1-4403

CROSS HANDLE THERMOSTATIC WITH TWO CROSS HANDLE FLOW CONTROLS TRIM ONLY, TO SUIT K1-4202 ROUGH



1	Screw (008793)	8	Button (036276)	15	Adaptor (067897)
2	in (003153)	9	Cross handle (069688-50)	16	Sleeve (041724)
3	Canopy (018421-50)	10	Stem extension (110385)	17	Back plate (006571-51)
4	Screw (008994)	11	Spring (005157)	18	Oil seal (068338)
5	Stem extension (110405)	12	Screw (008154)	19	Allen key (031003)
6	Grub screw (008772)	13	Canopy (018958)	20	Allen key (031000)
7	Cross handle (069688)	14	Clip (012242)		

## Standards

IAPMO/cUPC Listed  
Meets A112.18.1

Please note :  
Final achievable flow rate is dependent on the outlets fitted, see relevant outlets (spouts, roses, sprays) for fully assembled product flow rate.